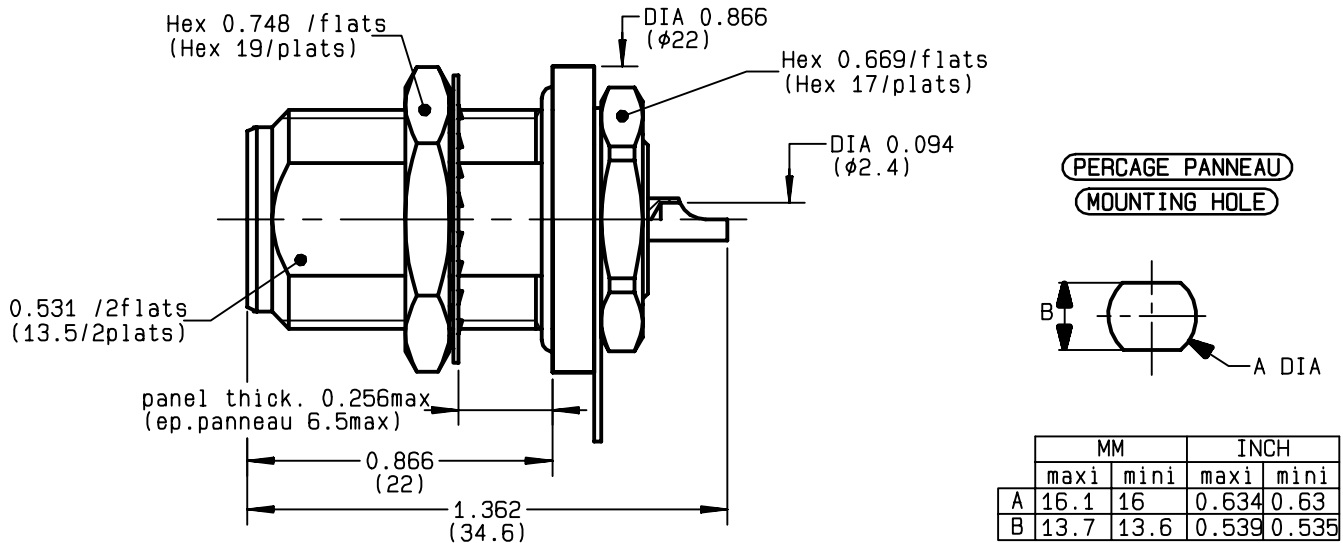


BULKHEAD JACK RECEPTACLE REAR MOUNTING **R161.606.020**
COMBINAT. SEAL + SOLDER POT CONTACT P.50 **SERIES** **N**



NOMINAL IMPEDANCE	50 Ω	CABLES :	
FREQUENCY RANGE	0-11 GHz		
TEMPERATURE RATING	-55/+155 °C		
V.S.W.R	NA + x F(GHz)Maxi		
RF INSERTION LOSS	NA √F(GHz) dB Maxi		
VOLTAGE RATING	1400 Veff Maxi		
DIELECTRIC WITHSTANDING VOLTAGE	2500 Veff Mini		
INSULATION RESISTANCE	5000 MΩMini	OTHERS CHARACTERISTICS	
HERMETIC SEAL	NA Atm.cm ³ /s	CABLE RETENTION	NA N Mini
LEAKAGE (pressurized only)	IP 67	CENTER CONTACT RETENTION	
MECHANICAL DURABILITY	500 Cycles	Axial force - mating end	27 N Mini
WEIGHT	38.7 gr	Axial force - opposite end	27 N Mini
SPECIFICATION		Torque	NA cm.N Mini
		RECOMMENDED TORQUES	
		Mating	NA cm.N
		Panel nut	500 cm.N
		Clamp nut	NA cm.N

CONNECTOR PARTS:	MATERIALS	FINISH	(all values are given in micrometers)
BODY	BRASS	BBR 2	
OUTER CONTACT	BRASS	BBR 2	
CENTER CONTACT	BERYLLIUM COPPER	GOLD 1.3 OVER COPPER 2.5	
INSULATOR	PTFE	-	
GASKET	SILICONE RUBBER	-	
OTHERS PIECES	BRASS	BBR 2	

ISSUE	CREATION DATE	FILE PART-NUMBER	
9920A00	18/02/1997	97-0132-071	

The information given here is subject to change without notice. Design changes may be in order to improve the product.

FANJAT